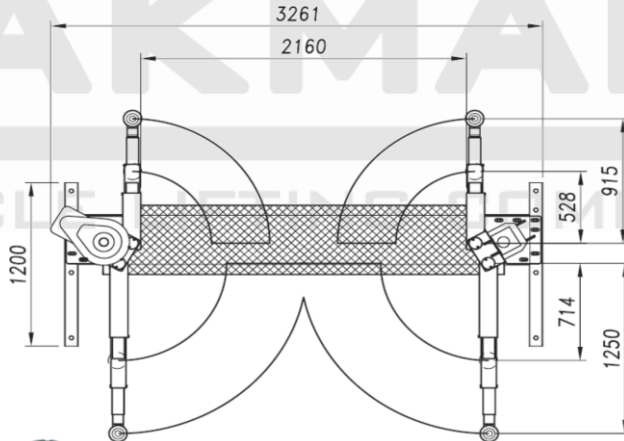
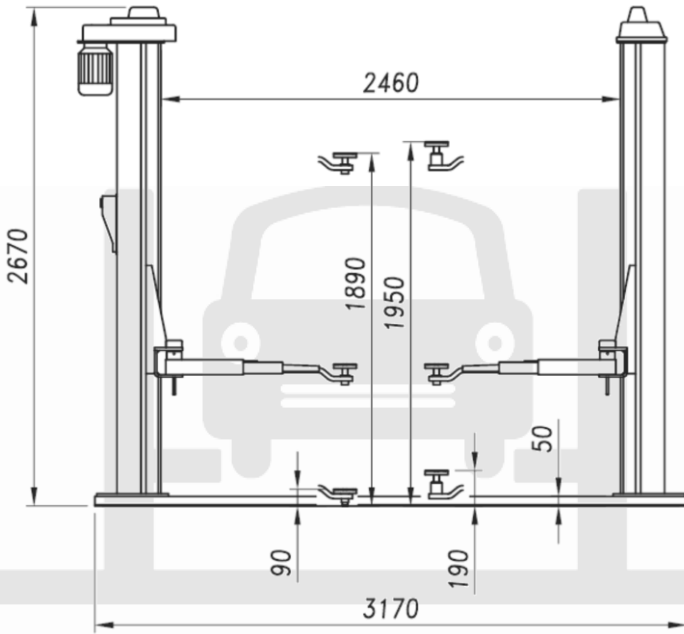


3 Tonne Electro-mechanical Lift

- 3 Tonne lifting capacity
- Manual safety release system
- Self supporting base for easier installation on poor quality floor surfaces
- High resistance chain transmission, pre-stretched, with control safety device upon looseness
- Specially manufactured motor fitted with overheating & overload protection switch
- Screw action height adjustable pads with clearance height $\leq 100\text{mm}$
- Permanent & Automatic screw lubrication
- Door protection pads
- 3 stage short & long arms enabling the asymmetric loading of wide and longer vehicles in extended positions
- Automatic locking arms
- Arms suitable for quick drop-in extensions
- Manufactured by OMA



3 Tonne Electro-mechanical Lift



Dead man controls, 24V



Arms suitable for quick drop-in extensions



Automatic Arm Locking/Unlocking while on floor